



JL 6A-CLASS - WITH PUMP | 70903562

- 24V Pump

JL 6A-CLASS - WITHOUT PUMP | 70903542

Features

- 12" Inline 5 Micron Spun (Sediment&PP)
- 12" Inline GAC (Granule Active Carbon)
- 12" Inline Block Carbon (CTO)
- 10" Inline Coconut Post Carbon
- 80 GPD Membrane
- 10" Inline Mineral / PH Filter
- 3.2 Gallon Metal Pressure Balance Tank
- Lux Faucet
- Shut-off Valve
- 60 PSI Pressure Reducer

Description

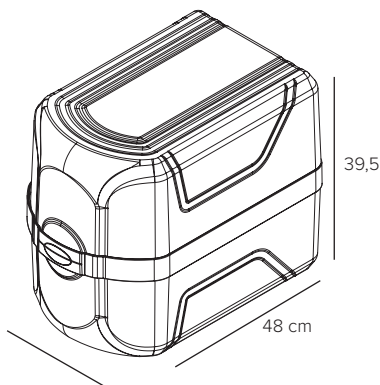
- 6 Stage System
- With & Without Model
- Quick Connection RO Unit

Color Options



TECHNICAL SPECIFICATIONS

Model	Box Size mm	Weight kg
70903562	280 x 470 x 410	8,5
70903542	280 x 470 x 410	6,7



Logistics Info

Pallet	35 pcs
20" Container	350 pcs
40" Container	800 pcs

